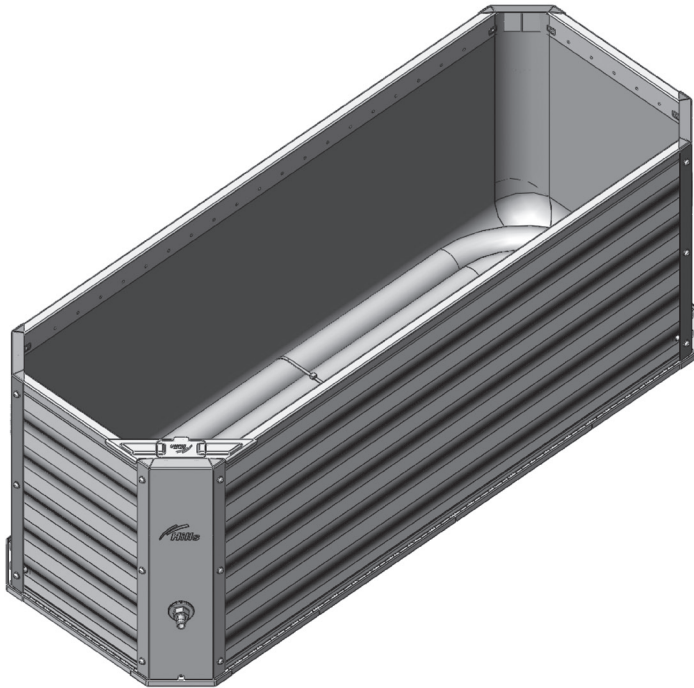


Hills® **Self Watering
Garden Bed 240**
Product Manual



Congratulations

Congratulations on the purchase of your **Hills Self Watering Garden Bed 240** and thank you for choosing Hills.

The Hills Self Watering Garden Bed is easy to assemble.

You will need

- Hex key (as supplied)
- Multi-spanner (as supplied)
- 7 x 25 litre bags of garden loam/potting mix
- 2 x 20 litre bag of washed river sand or concreting sand
- Seedlings of your choice

Safety Instructions



This product was designed and developed only to be used as a Self-Watering Garden Bed for growing plants, vegetables, herbs and flowers. It is not for use by children as a sand pit, playpen or wading pool.

We recommend only using slow or controlled release fertiliser granules within the potting mix or soil. Do not add fertilisers and/or chemicals directly to the self watering system via the Funnel.

Your Self Watering Garden Bed is made from a number of different types of plastic materials. Some fertilisers and/or chemicals may not be suitable for use in your Self Watering Garden Bed and you should check their compatibility before use. Follow all fertiliser and/or chemical supplier instructions.

Refer to instructions from manufacturer of bagged potting mix or soil for safety guidelines.



In the event that the Overflow Outlet is allowed to become obstructed, this Self Watering Garden Bed may weigh in excess of 250kg. Only assemble this product on a suitable surface and/or structure.

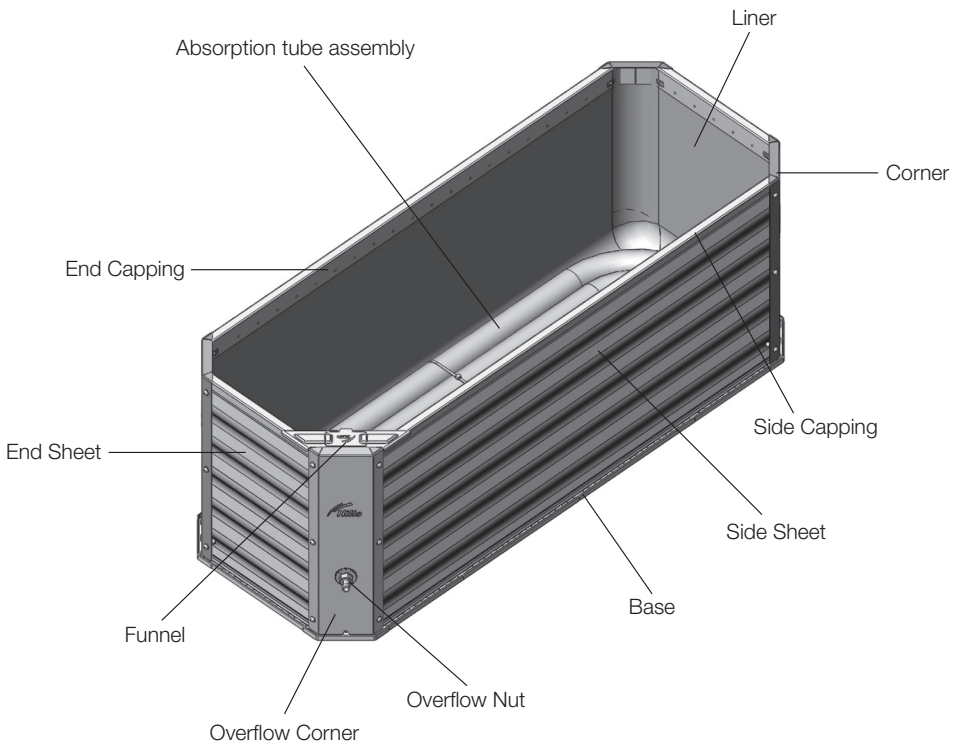
Dispose of all cardboard into a Recycle bin.

Carton Contents

	Part Name	Qty.
1	Corner	3
2	Overflow Corner (hole)	1
3	End Sheet	2
4	Side Sheet	2
5	End Capping	2
6	Side Capping	2
7	Funnel	1
8	Liner	1
9	Absorption tube assembly	1
10	Base Parts	4
11	Overflow Nut	1

Part Name	Qty.
Internal Washer	1
External Washer	1
Liner Clip	10
Soil Moisture reader	1
Multi Spanner	1
Hex Key	1
M6 x 22mm Screw	16
M6 x 10mm Screw	8
M6 Washer	24
M6 Hex Nut	8
M6 T Nut	16
Overflow Plug	1

Carton Contents



Assembly



Note: Read the Assembly Instructions carefully.

Due to the nature of the materials used (corrugated sheeting and pressed metal), take care when handling as sharp edges may be present. Use protective gloves.

Step 1.

Check to make sure the correct quantities of all parts are supplied.

Step 2.

Choose a suitable location for your Hills Self Watering Garden Bed.

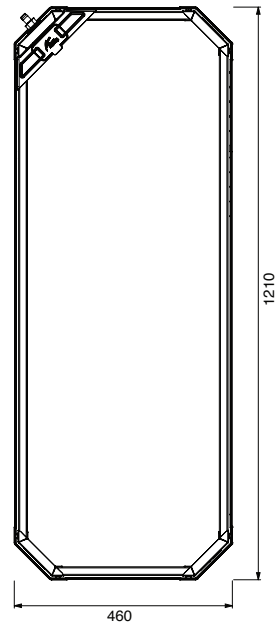
Step 3.

- a. Measure the area to ensure you have room to place your Self Watering Garden Bed. You will need minimum free space of 1.3m long x 0.5m wide.
- b. Decide on which corner of the garden bed you would like the Funnel and overflow outlet (Overflow Corner). Your assembly of the Overflow Corner, Corners, Side Sheets and End Sheets may differ from what is shown by the assembly instructions. If you wish to have the Funnel and overflow outlet positioned Front- Left or Back- Right, follow the assembly instructions. If you wish to have the Funnel and overflow outlet positioned Front- Right or Back- Left, you will need to substitute the Side Sheets shown in the assembly instructions with End Sheets (refer to **Fig. 1**).



Note: Do not attempt to move your Self Watering Garden Bed when full of sand and soil.

Fig. 1



Step 4.



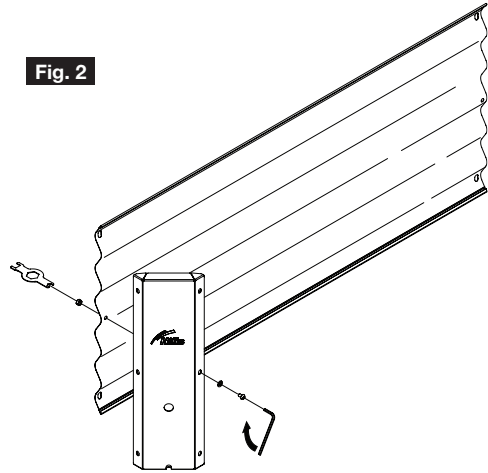
Note: The Overflow Corner is the corner part with a hole and the Hills logo.

Place an M6 x 10mm Screw with Washer through the centre holes of the Overflow Corner and Side Sheet (painted side facing outward). Attach an M6 Nut and tighten using the Hex Key and Multi-spanner provided (**Fig. 2**).



Hint: Hold the M6 Nut using the small end of the Multi-spanner.

Fig. 2



Step 5.

Place an M6 x 22mm Screw with Washer through the lower holes of the Overflow Corner and Side Sheet. Attach a T-Nut and tighten using the Hex Key and Multi-spanner. Tighten until 1 to 2mm of the screw end protrudes past the end of the T-Nut (**Fig. 3 & 4**).



Hint: Hold the T-Nut horizontal using the big end of the Multi-spanner.

Fig. 3

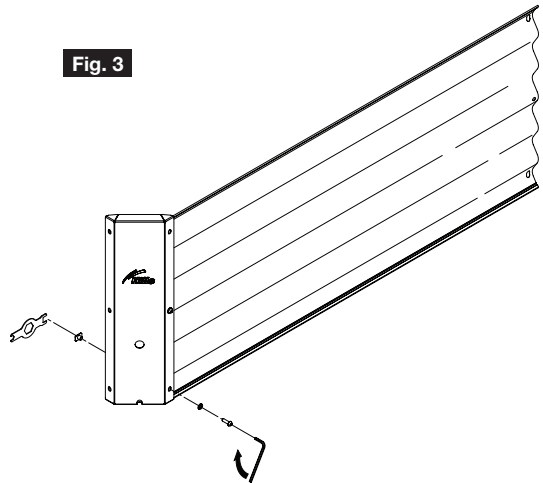
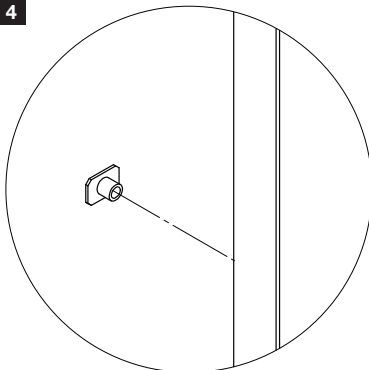


Fig. 4



Step 6.

Assemble an End Sheet (painted side facing outward) to the other side of the Overflow Corner using Screws, Washers, Nuts and T-Nuts in the centre and lower holes as described in Steps 4 & 5 (**Fig. 5**).

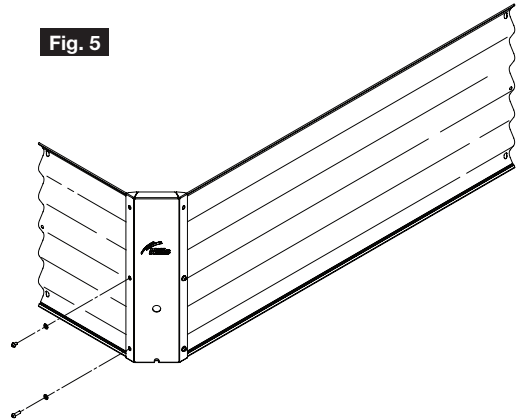


Fig. 5

Step 7.

Assemble the remaining Corners, Side and End Sheets using Screws, Washers, Nuts, T-Nuts in the centre and lower holes as described in Steps 4 & 5 (**Fig. 6**).



Note: Do not fit Screws, Washers and T-Nuts to the top holes yet.

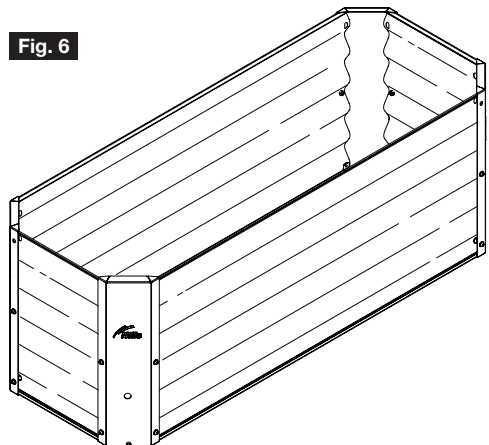


Fig. 6

Fig. 7

Step 8.

Align the Overflow Hole in the Liner with the Overflow Corner and place the Liner inside the garden bed (**Fig. 7**).



Note: Ensure that the short ends of the Liner face the End Sheets.

Turn the Liner inside-out if the Overflow Hole does not align with the Overflow Corner.

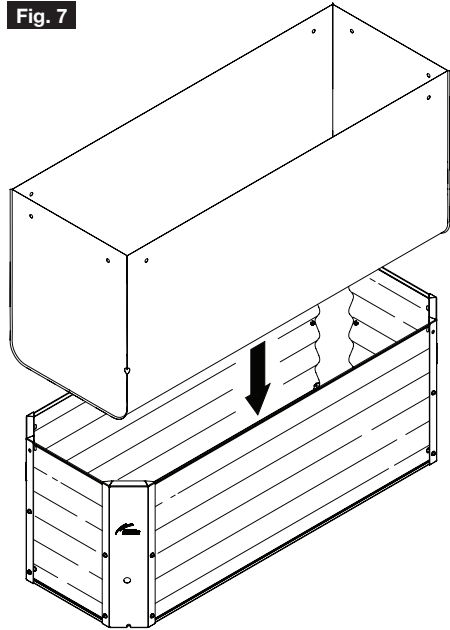
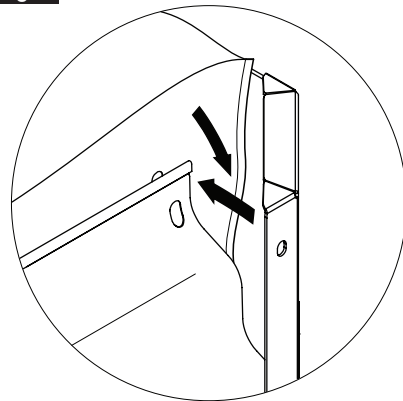


Fig. 8

Step 9.

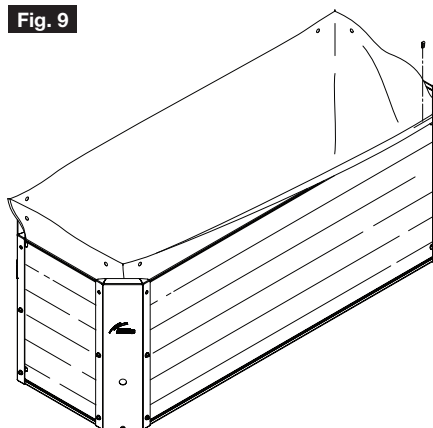
Push the Liner down until approximately 15mm extends past the top of the garden bed (**Fig. 8**).



Step 10.

Pull one of the Side Sheets inward and fold the Liner over the top of the Side Sheet (**Fig. 8 & 9**). Align the Top Holes of the Liner with the corresponding Top Holes of the Side Sheet.

Fig. 9



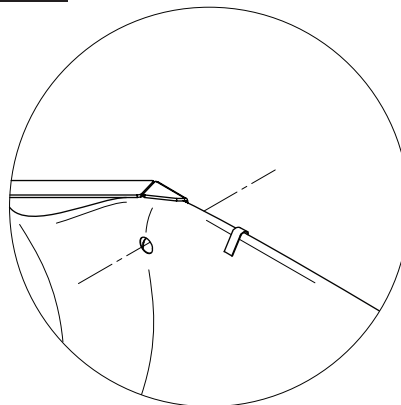
Step 11.

Place a Liner Clip over the Liner and Side Sheet, close to the Top Holes (**Fig. 9 & 10**).



Note: Ensure that the flat side of the Liner Clip is placed on the inside of the garden bed.

Fig. 10



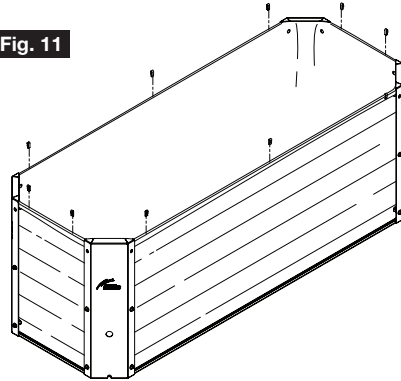
Step 12.

Repeat Steps 10 and 11 at the opposite end of the Side Sheet (**Fig. 9 & 10**).

Step 13.

Repeat Steps 10 and 11 for the remaining Side Sheet and End Sheets (**Fig. 11**).

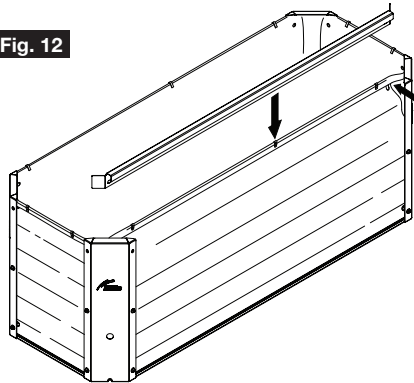
Fig. 11



Step 14.

Pull the Side Sheet inward again and place a Side Capping on top of the Liner and Side Sheet (**Fig. 12**).

Fig. 12



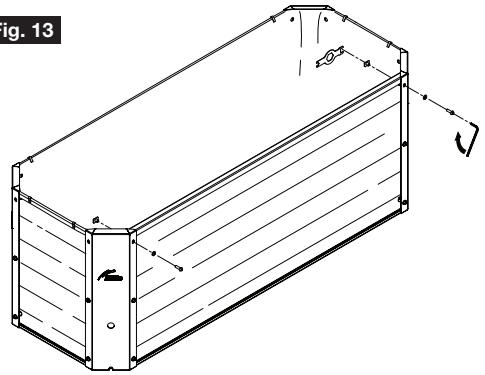
Step 15.

Push a T-Nut through the Side Capping and Liner and hold in place. Insert a M6 x 22mm Screw with Washer through the corresponding top holes of the Corner and Side Sheet. Tighten using the tools provided until 1 to 2mm of the screw end protrudes past the end of the T-Nut (**Fig. 13**).



Hint: Hold the T-Nut horizontal using the big end of the Multi-spanner.

Fig. 13



Step 16.

Repeat Step 15 for the opposite end of the Side Capping (**Fig. 13**).

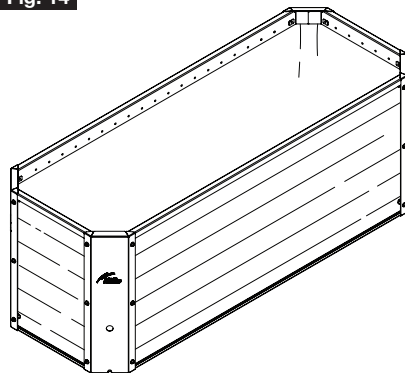
Step 17.

Repeat Step 15 and 16 for the remaining Side and End Capping parts (**Fig. 14**).



Hint: Fold the Liner corners neatly behind the Capping ends.

Fig. 14



Step 18.

Rotate, align and place the Base parts to interlock them (**Fig. 15**).



Note: Ensure that the Base part number and recycling code is facing upward. The part number is located in the centre of the part (**Fig. 16**).



Hint: Use the assembled Base parts as a guide for the final position of the garden bed.

Fig. 15

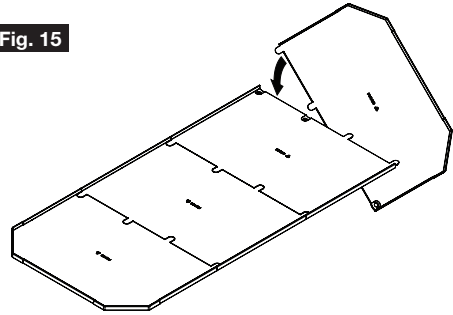
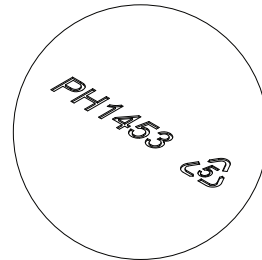


Fig. 16



Step 19.

Gently place the garden bed on the base (**Fig. 17**).

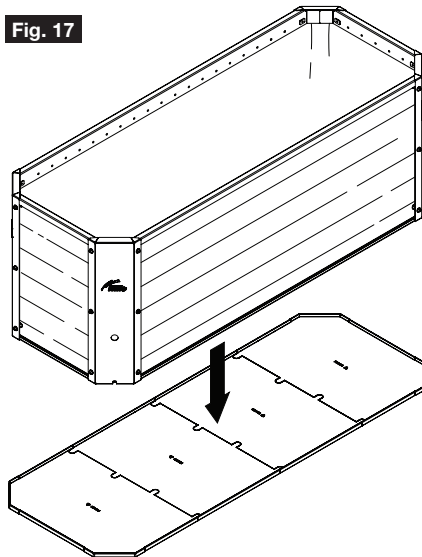


Hint: You may require assistance to lift and place the garden bed on the Base parts.



Note: Ensure that the Liner has not been caught between the garden bed and the Base.

Fig. 17



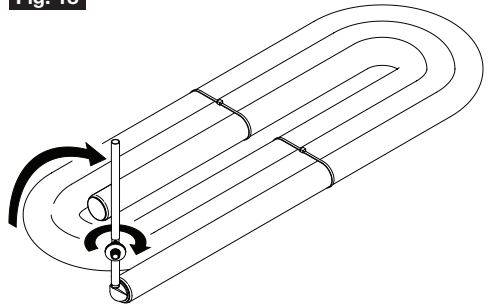
Step 20.

Rotate the Feeder Elbow so that the small diameter tube is pointing upward (Fig. 18).



Hint: The Feeder Elbow is the part located in the end of the Absorption Tube that connects to the smaller diameter black tube (Feeder Tube).

Fig. 18



Step 21.

Rotate the Overflow Tee so that it's facing away from the centre of the Absorption Tube coil (Fig. 18).



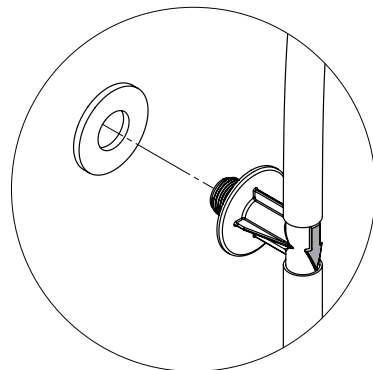
Note: Ensure that the Feeder Elbow is pushed into the Absorption Tube and that the Feeder Tubes are pushed onto the fittings fully.

Fig. 19

Step 22.


Push the soft and flexible Internal Washer over the thread of the Overflow Tee (Fig. 19).

Note: Ensure that the Arrow on the Overflow Tee is pointing downward. The Arrow is coloured grey in Fig. 19.



Step 23.

Place the Absorption Assembly inside the garden bed (**Fig. 20**).

 **Note:** Do not remove the strapping that holds the Absorption Tube together.

If the Overflow Tee does not align with the hole in the Overflow Corner when placed inside the garden bed, turn the Absorption Tube Assembly upside-down and re-orient the Feeder Tube to the upward position as described in Step 20. This will position the Overflow Tee on the opposite side of the End Sheet (Fig. 21**).**


 **Note:** Ensure that the Feeder Elbow is pushed into the Absorption Tube and that the Feeder Tubes are pushed onto the fittings fully.

Fig. 20

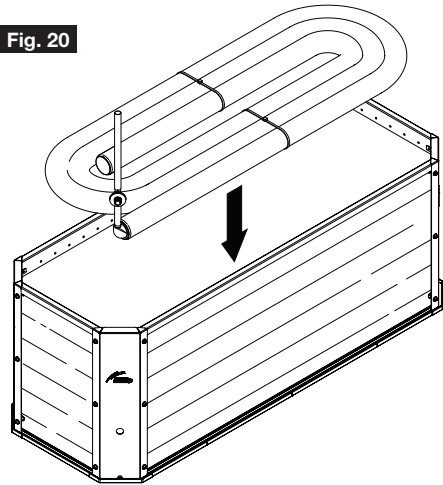
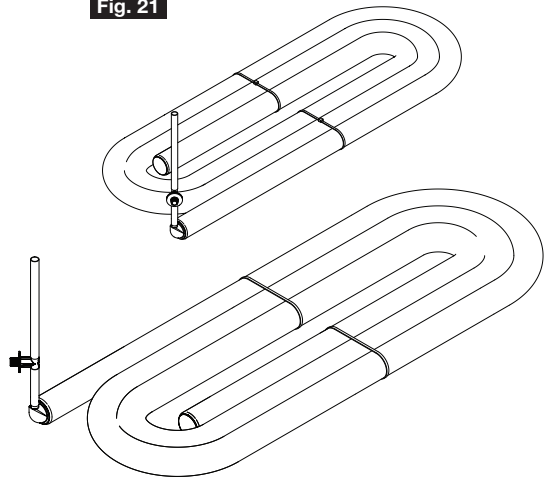


Fig. 21



Step 24.

Fit the Funnel

- a. Angle the Funnel so that the Funnel's backside rib is positioned underneath the top fold of the Overflow Corner and the Funnel wings rest on top of the Capping. Refer to cut-out view **Fig. 22**.
- b. Pull the Feeder Tube out from the Overflow Corner until the Funnel end is able to make contact with it (**Fig. 22**).
- c. Push the Funnel end inside the Feeder Tube while rotating the Funnel to rest flat on top of the Capping (**Fig. 22**).

Fig. 22

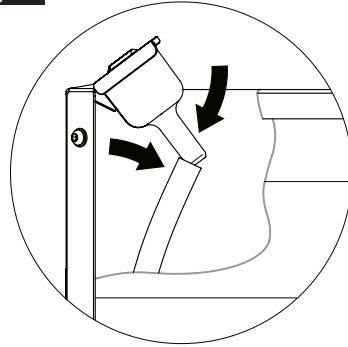
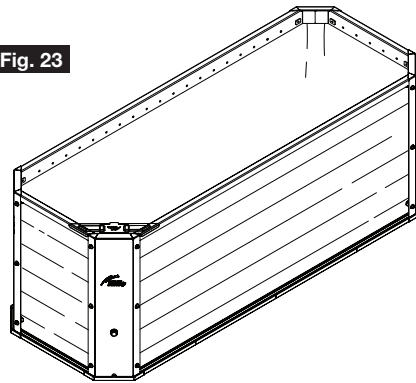


Fig. 23



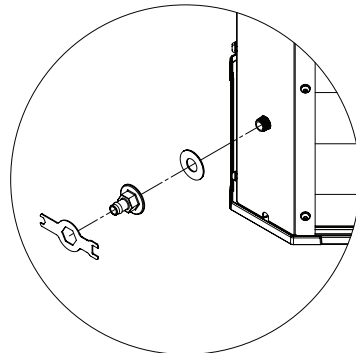
Step 25.

Push the threaded Overflow Tee end through the Overflow Corner hole (**Fig. 23**).



Note: Ensure that the Internal Washer is still located on the Overflow Tee.

Fig. 24



Step 26.

Fit the External Washer and Overflow Nut to the protruding threaded end of the Overflow Tee. Tighten the Overflow Nut using the centre cut-out of the Multi-spanner (**Fig. 24**).



Note: Do not over tighten the Overflow Nut.

Step 27.

Slowly pour 40kg of Washed River Sand or Concreting Sand into the garden bed. Push sand into the corners and other confined areas, and spread evenly.

Step 28.

Fill the remainder of the garden bed with potting mix, top soil, compost, etc., and start planting.

Step 29.

If you have placed your Hills Self Watering Garden Bed indoors or in an area that you do not want to become temporarily wet, place a container under the Overflow Outlet during watering.

When the self watering system is full, excess water will flow from the Overflow Outlet. Alternatively, connect 13mm poly tube to the barbed end of the Overflow Nut to divert any excess water.

Place the overflow plug back on the overflow outlet to ensure no dripping once watering is completed. (Fig. 25).



Note: The overflow plug must be removed when watering. Do not fill the system beyond the height of the Overflow Outlet. Use the soil moisture reader provided to determine wetness of soil.

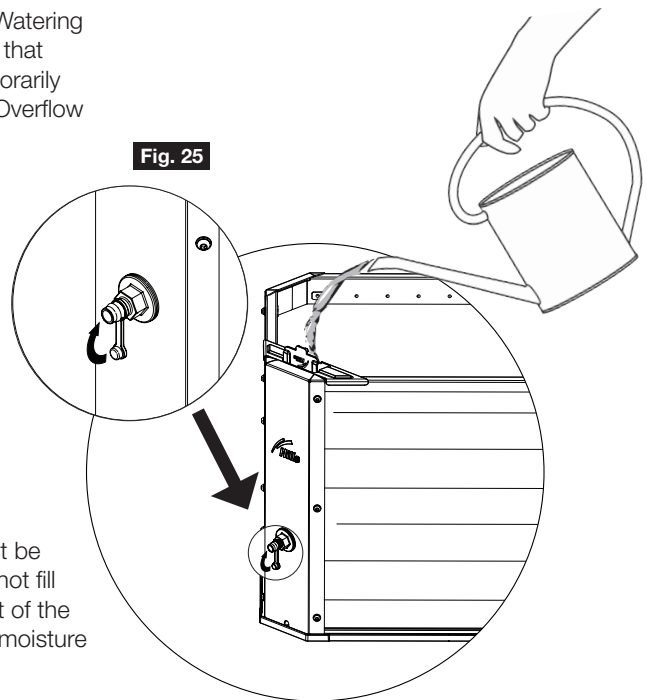
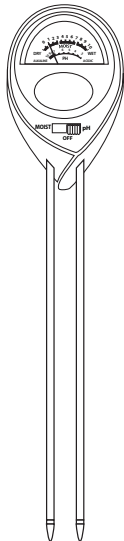


Fig. 25

Step 30.

For the first watering, we recommend watering with 30 litres of water evenly over the top of the potting mix or top soil. Continue filling the self watering system via the Funnel until excess water exits the Overflow Outlet.

For ongoing watering fill the self watering system via the Funnel.



Soil Moisture Reader

- Measures moisture content and lets you know when to water.
- Allows you to monitor PH levels in soil.
- To check moisture content push switch to the left, insert probe deeply into soil reaching root level. Keep probe close to plant.
- To check PH level push switch to the right, insert probe deeply into soil.
- Remove from the soil and wipe clean after each use.
- No batteries required.
- Indoor or outdoor use.

Accessories available: Plant ID Tags & Hills Grow Stakes

Please retain this Product Manual. Record the following information for future reference.

Product Number (printed on carton): FH

Date of purchase:

Name and location of store:

.....



Designed and tested under a Quality System that meets Hills demanding quality specifications.

Made in China

Hills Warranty

1. Hills provides consumers with the following warranty in relation to this Product, in addition to complying with the requirements of any relevant legislation, including the Competition and Consumer Act 2010 (Cth) in Australia and the Consumer Guarantees Act 1993 in New Zealand (the **Acts**), except where a New Zealand consumer acquires the relevant Product for the purposes of a business.
2. In this warranty, we have used the following definitions:
 - (a) **Hills, our or we** means Hills Holdings Limited (ABN 35 007 573 417) of 159 Port Road Hindmarsh South Australia 5007;
 - (b) **Products** means the following goods manufactured by Hills (including products manufactured for Hills by its contract manufacturers): **Hills Self Watering Garden Bed 240;**
 - (c) **Material** means a material or component used by Hills in the manufacture of the Products;
 - (d) **Warranty Period** means 3 years from the date of purchase of the relevant Product and, in relation to Soil Moisture Reader and Liner, means a period of 1 year from the date of purchase of the Product. If the Product or part (as the case may be) is repaired or replaced, there will be no extension to the original warranty period; and
 - (e) **Workmanship** means the handling, assembly and manufacturing processes performed by or on behalf of Hills in order to manufacture the Products.
3. Hills warrants that for the duration of the Warranty Period, all Products will be free of faults arising from defects in Workmanship or Materials, on the terms and conditions set out in this warranty.
4. Hills undertakes that if during the Warranty Period any Product, or any part of a Product, has failed to operate correctly due to faulty Workmanship or defective Material, it will repair or replace the Product or part (as the case may be) free of charge provided that the following procedure is met:
 - (a) The consumer must contact Hills upon becoming aware of any defect to a Product. The contact details for Hills are set out in this warranty and under the heading "Hills Contacts".
 - (b) Following consultation with Hills, Hills will determine whether there is a defect, and if so Hills agrees to (at Hills' option):
 - i. in the case of goods – repair, replace or supply equivalent goods, or pay the cost of any of those remedies to the consumer; or
 - ii. in the case of services – supply the services again or pay the cost of having the services supplied again.
 - (c) If Hills requests the return of the applicable Product or part, Hills will be responsible for the collection and freight costs of returning that Product or part. The consumer agrees to assist Hills with any reasonable request to enable Hills to collect such Product or part.
 - (d) Hills also agrees to be responsible for the freight costs to deliver any new Product or replacement part to the consumer.

5. This warranty is in addition to any non-excludable legal rights or remedies conferred on the consumer under any applicable Act and any similar laws. To the extent permitted by law, Hills' liability for any non-excludable condition or warranty is limited to rectifying any defect at its option, as set out in paragraph 4(b).
6. Subject to the requirements of any applicable Act or legislation and to the extent permitted by law, no liability (whether expressed or implied) of any nature whatsoever, is accepted by Hills for any consequential loss, damage or injury arising as a result of any fault in the Products.
7. This warranty does not extend to damage to Products which occurs during transit or transportation, or which is caused by any abuse, accident or improper installation, connection, use, adjustment or repair or use of goods otherwise than in accordance with instructions issued by Hills.
8. The warranty on Products is waived if any addition or attachment to the Products do not have Hills' specific approval or are not sold as Hills products. The Products are designed to perform specific tasks under established test loads and unauthorised attachments may produce stresses for which the design is not appropriate.
9. The following applies to consumers who purchased a relevant Product in Australia:

Our goods come with guarantees that cannot be excluded under the Australian Consumer Law. You are entitled to a replacement or refund for a major failure and compensation for any other reasonably foreseeable loss or damage.
You are also entitled to have the goods repaired or replaced if the goods fail to be of acceptable quality and the failure does not amount to a major failure.

Hills Contacts

We are committed to providing you with complete customer satisfaction. If you have any questions or comments about our products or services please contact your nearest customer service centre during their local business hours:

Australia

1300 300 564
info@hills.com.au

New Zealand

09 262 3052
sales@hills.co.nz

Rest of World

Refer to Hills website
home page, contacts tab
www.hills.com.au/en/contact-us

Hills Websites

www.hills.com.au

Hills Branded Products

www.hillsholdings.com.au

Hills Holdings Limited



Hills Holdings Limited
A.B.N. 35 007 573 417

Issue December 2012
PH1516b
MSD 1207